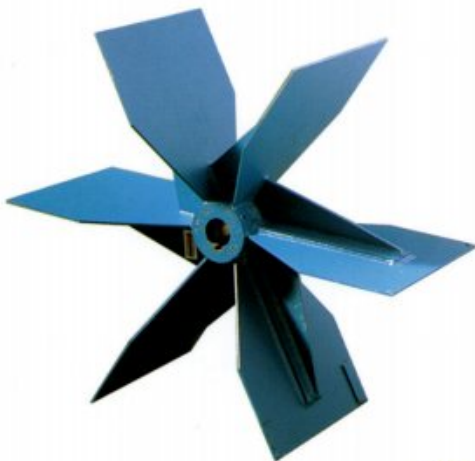


BOONE AERATION & ENVIRONMENTAL CORP.



The RBO/RBA series of fans are excellent choices for many industrial applications. The RBO is an open type radial paddle wheel design and is extremely rugged. Applications include coarse materials, awdust, sticky products or other abrasive materials. The RBA is an efficient modified radial fan design. RBA fans are excellent for relatively clean air containing light dust or fumes.

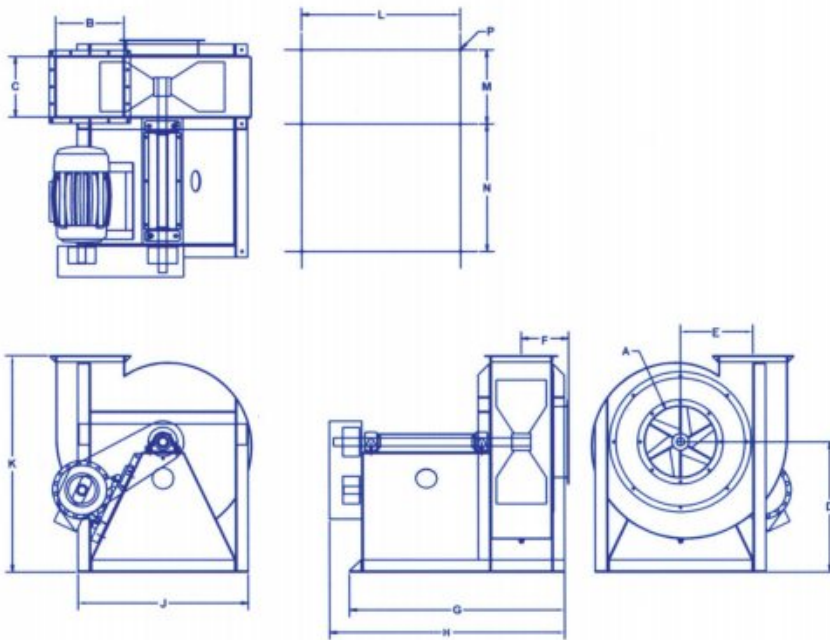


RBO Wheel



Reverse View





STANDARD SPECIFICATIONS

- Full welded carbon steel construction
- Flanged inlet and outlet
- 230 / 460 / 60 / 3 TEFC motor
- V-belt drive with 1.5 service factor
- Class SD wheel
- Spherical roller bearings
- Safety blue belt and shaft guards
- Standard metal preparation
- Primed and painted industrial white enamel

OPTIONS

- Class HD wheels
- Special paints and coatings
- Aluminum spark resistant liner

MODEL	A	B	C	D	E	F	G	H	J	K	L	M	N	P
909	9	8 5/8	7 11/16	24	9 3/16	7 7/8	29 9/16	34 9/16	22	35 1/8	20 1/4	11 15/16	15 7/8	9/16
911	11	10 9/16	9 7/16	24 3/4	11 3/16	8 9/16	35 1/2	42	25 3/8	38 1/4	23 5/8	11 11/16	22	9/16
913	13	12 7/16	11 1/8	27 1/4	13 1/16	9 7/8	41 3/4	45 3/4	29 1/2	43 1/8	27 3/4	13 3/8	26 5/8	9/16
915	15	14 1/16	12 9/16	28 1/4	15 1/4	9 1/16	47	51 3/4	35 1/8	46 1/2	32 3/8	16 1/16	28 3/16	9/16
917	17	16 1/4	14 1/2	31 1/4	17 1/4	11 1/4	51 1/8	55 7/8	40 1/2	51 7/8	37 3/4	17 3/4	30 5/8	9/16
919	19	18 1/16	16 1/8	33 1/4	19 3/16	12 1/16	53 5/8	58 7/8	44	56 3/16	41 1/4	19 3/8	31 1/2	11/16
921	21	19 3/4	17 9/16	34 1/2	21 1/4	13 1/8	56 9/16	62 1/8	45 1/2	58	42 3/4	21 1/16	32 13/16	11/16
923	23	22	19 5/8	37 1/2	23 1/4	14 15/16	58 3/8	64 3/8	50	64	47 1/4	22 7/8	32 3/4	13/16
926	26	24 7/16	21 3/4	41 3/4	26 3/16	15 1/16	63 3/8	70 5/8	58	70 3/4	55 1/4	25 3/16	35 7/16	13/16
929	29	27 11/16	24 5/8	46 1/4	29 1/2	16 5/16	65 7/8	73 1/8	60 1/2	78 1/4	57 3/4	27 7/8	35 1/4	13/16
933	33	31 1/8	27 5/8	47	33 1/2	18	72	79 1/4	67 3/4	83 1/2	68	32 1/4	36	13/16
937	37	35 3/16	31 3/8	53	37 7/16	19 11/16	77	84 3/16	78 7/8	93 3/4	74 7/8	35 3/8	37 9/16	13/16

NOT FOR CONSTRUCTION

Boone Aeration & Environmental Corp.
 P.O. Box 369 ~ 1773 219th Lane ~ Boone, IA 50036 USA
 (515) 432-2010 ~ (800) 265-2010 ~ FAX (515) 432-5262